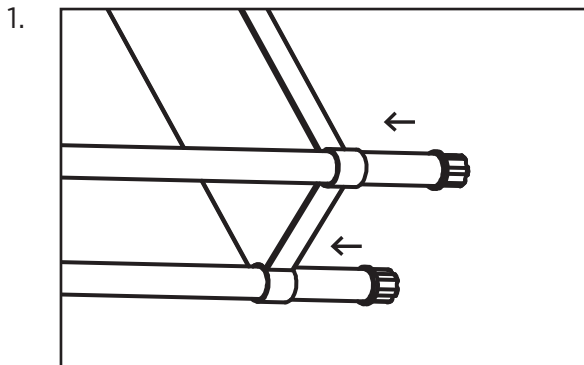
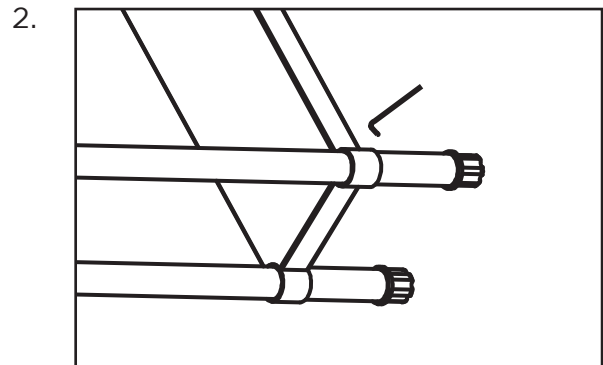


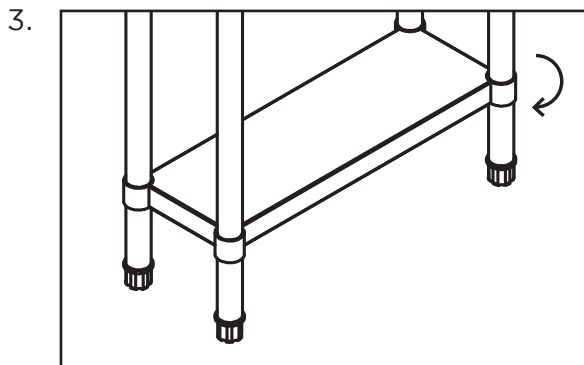
ASSEMBLY INSTRUCTIONS



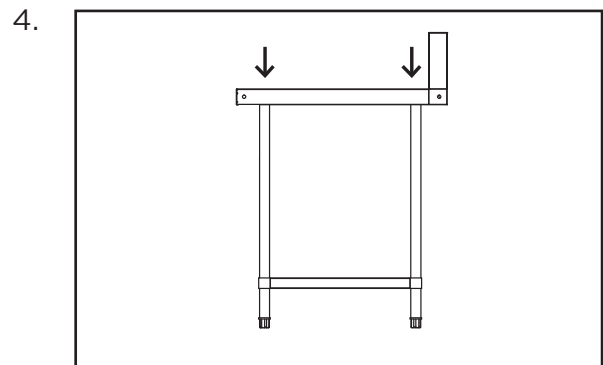
Insert legs through the bottom of the shelf. Locate the scribed mark and position bottom of shelf on the scribe mark.



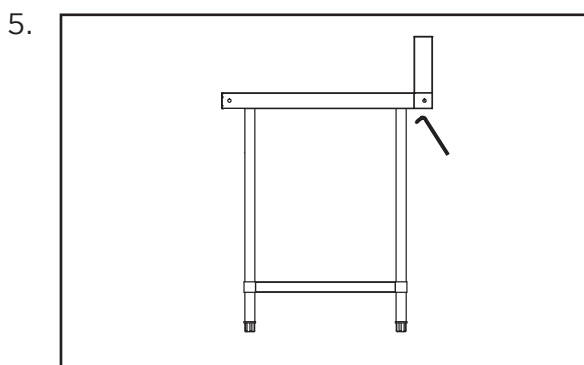
Use 4 x 8mm Allen key screws to secure the shelf section to the legs.



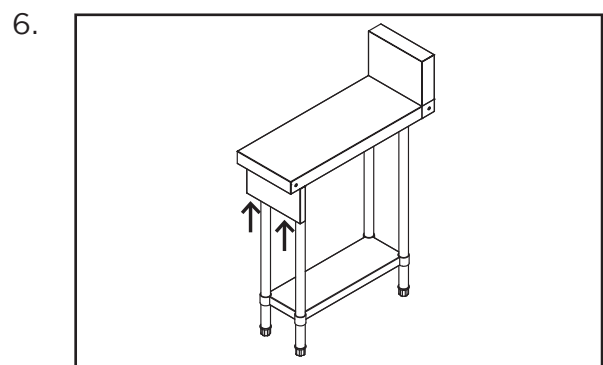
Turn over stand.



Place top on 4 legs.



Use 4 x 8mm Allen key screws to secure bench-top section to the legs.



Screw in the front panel from inner corner. (This is an optional aesthetic add on)