



**MODEL:
RCF4**



SPARE PARTS MANUAL

RCF
Gas Deep Fryer

COMCATER AUSTRALIA

www.comcater.com.au

National Head Office

156 Swann Drive, Derrimut, VIC 3030

Phone: 03 8369 4600

Fax: 03 8369 4699

Email: sales@comcater.com.au

Technical Services Group

Phone: 1800 810 161

Fax: 03 8369 4696

Email:

Equipment Servicing (24/7)

service@comcater.com.au

Equipment Spare Parts

spares@comcater.com.au

Technical Support

techsupport@comcater.com.au

Comcater QR Codes



Comcater Website



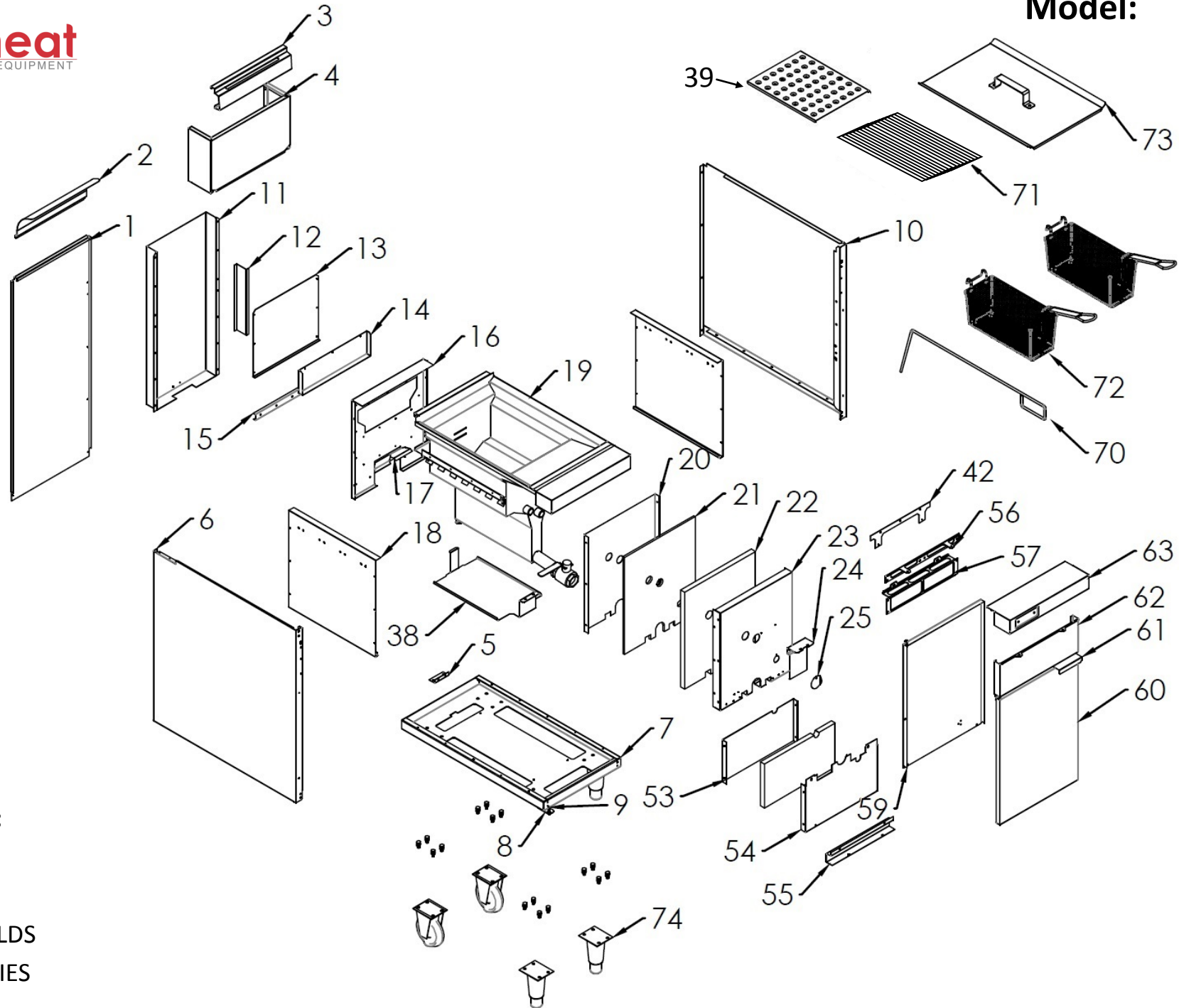
Log a Service Call



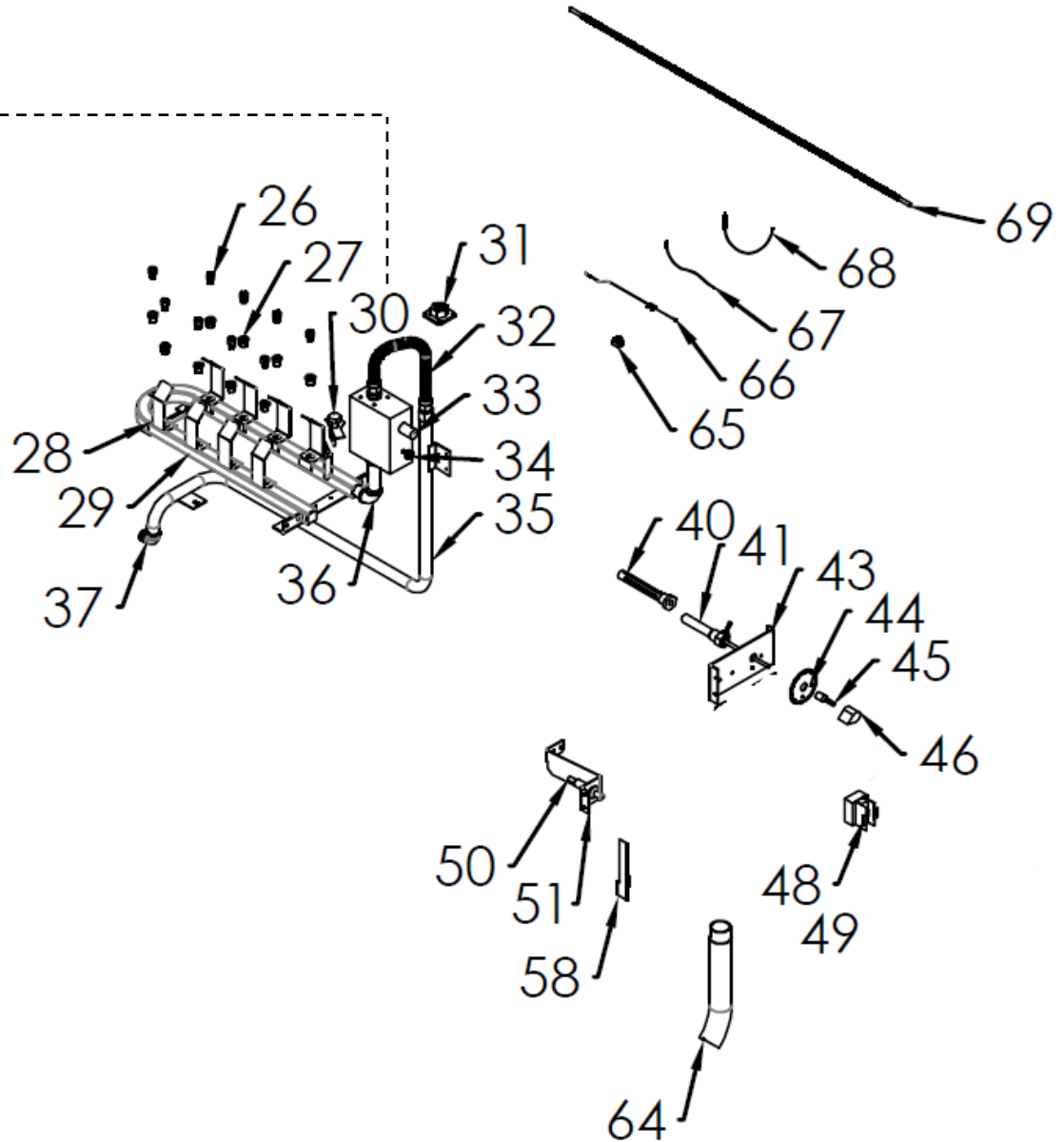
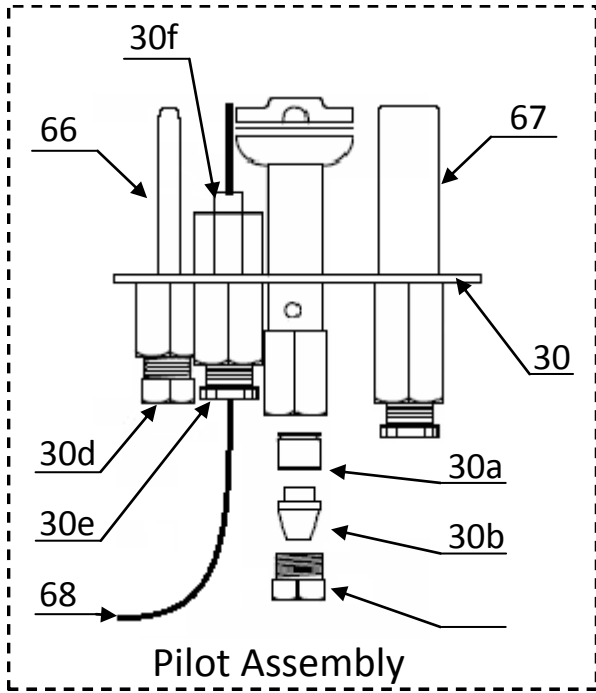
Online Spare Parts Store

Reproduction or copying of any part of this manual by any means whatsoever is strictly forbidden unless authorised in writing by Comcater.

Comcater reserves the right to change design and specifications without prior notice. © Copyright Comcater Pty Ltd, May 2019.



INCLUDES:
 CABINET
 FLUE
 HEAT SHIELDS
 ACCESSORIES



INCLUDES:
GAS TRAIN
CONTROL COMPONENTS

Model: RCF4

ITEM	PART NO.	DESCRIPTION	QTY	ITEM	PART NO.	DESCRIPTION	QTY
1	10113157	Rear Panel	1	*30a	'0977122	Pilot - Orifice LPG	1
2	10113147	Flue Deflector	1	30b	'0957016	Pilot - Burner Olive	1
3	10113140	Basket Hanger	1	30c	'0958018	Pilot - Burner Nut	1
4	10113146	Flue Cover	1	30d	'0974036	Pilot - Thermocouple nut	1
5	10113166	Rear Bracket	1	30e	'0974037	Pilot - Ignition Electrode Nut	1
6	10113184	LHS Panel	1	30f	'0915024	Pilot - Ignition Electrode	1
7	10113137	Base Panel	1	31	B07289	Valve Flange Connection for 0.5 Inch	1
8	10113145	Lower Door Hinge	1	32	B07255	Flared Limited Flex Gas Tube 0.5 Inch	1
9	12108211 (12108231)	Lower Door Hinge Screw	2	33	B06506	Gas Valve	1
10	10113133	RHS Panel	1	34	B07288	Valve Conversion Kit LPG	1
11	10113159	Outer Flue	1	35	B21204	Gas Inlet Manifold	1
12	10113161	Flue Stand off bracket	1	36	B12008	Female to Female Elbow 0.5 Inch	1
13	12108232	Flue - Front Hood	1	37	B12058 (B21208)	Male to Female Elbow 0.5 Inch	1
14	10113158	Flue - Rear Baffle	1	38	10113170	Burner Heat Shield	1
15	10113167	Inner Flue Bracket	1	39	S51058	Fish Plate (Optional)	1
16	10113164	Rear Baffle - Frypot Fire Wall	1	40	B21211	Cradle—Hi-limit Thermostat	1
17	10113168	Rear Target	1	41	E24472	Operating Thermostat— Fenwal	1
18	17302337	Side Baffle - Frypot Fire Wall	2	42	10113144	Frypot Brace	1
19	S35002	Frypot	1	43	10113141	Fascia plate—Fenwal Thermostat	1
20	10113178	Inner Baffle — Frypot Fire Wall	1	44	E24481	Temperature Decal — Fenwal	1
21	E19152	10mm Insulation — Frypot Fire Wall	1	45	B21215	Extension Shaft—Fenwal Thermostat	1
22	E19153	25mm Insulation — Frypot Fire Wall	1	46	E24475	Thermostat Knob	1
23	10113162	Front Skin—Frypot Fire Wall	1	48	E24474	Hi-Limit Thermostat	1
24	10113181	Mounting Plate — Gas Valve	1	50	'0892116	Piezo Ignitor	1
25	10113165	Pilot Viewing Hole Shutter	1	51	T10113139	Piezo Ignitor Bracket	1
26	B21193	Injector Target Burner LPG	9	53	10113180	Lower Heat Shield—Rear Skin	1
*26	B21192	Injector Target Burner NG	9	54	10113179	Lower Heat Shield—Front outer skin	1
*26	B21195	Injector Target Burner Universal LPG	9	55	10113182	Lower Heat Shield—bracket	1
27	B21194	Injector Holder	9	56	10113138	Fascia Bracket	1
28	10113169	Side Targets	8	57	10113156	Front Support Bracket	1
29	B21203	U Shape Manifold	1	58	L10100022	Drain Pipe Holder	1
30	0190610	Pilot Assembly without Pilot injector	1	59	10113155	Inner Door Liner	1
30a	0977119	Pilot - Orifice NAT	1	60	10113134	Outer Door Panel	1

Model: RCF4

ITEM	PART NO.	DESCRIPTION	QTY
61	10113148	Door Handle	1
62	10113136	Fascia Panel	1
63	10113177	Front Rail	1
64	B21206	Drain Pipe	1
65	E19140	Terminal Block — Hi-limit	1
66	B07232	Thermocouple with Interruptor	1
67	0940002	Thermopile	1
68	10113221	Ignition lead	1
69	B08062	Limited Flex corrugated Tube 0.25 Inch	1
70	B21208	Clean out rod	1
71	B21207	Fry Basket Support Rack	1
72	B18120	Fry Basket	2
73	10113135	Frypot Lid	1
*	10113143	Frypot Lid Handle	1
74	B05118	Adjustable Leg	4
*74	8100378	Fixed Rear Castor (Optional)	2

Trueheat
GAS COOKING EQUIPMENT

