



**MODELS:**  
**RCT3**  
**RCT6**  
**RCT9**  
**RCR6**



**SPARE PARTS MANUAL**

***RCT/RCR***  
**Open Burner, Griddle & Oven Range**

## COMCATER AUSTRALIA

[www.comcater.com.au](http://www.comcater.com.au)

### National Head Office

156 Swann Drive, Derrimut, VIC 3030

Phone: 03 8369 4600

Fax: 03 8369 4699

Email: [sales@comcater.com.au](mailto:sales@comcater.com.au)

### Technical Services Group

Phone: 1800 810 161

Fax: 03 8369 4696

#### Email:

**Equipment Servicing (24/7)**

[service@comcater.com.au](mailto:service@comcater.com.au)

**Equipment Spare Parts**

[spares@comcater.com.au](mailto:spares@comcater.com.au)

**Technical Support**

[techsupport@comcater.com.au](mailto:techsupport@comcater.com.au)

## Comcater QR Codes



Comcater Website



Log a Service Call

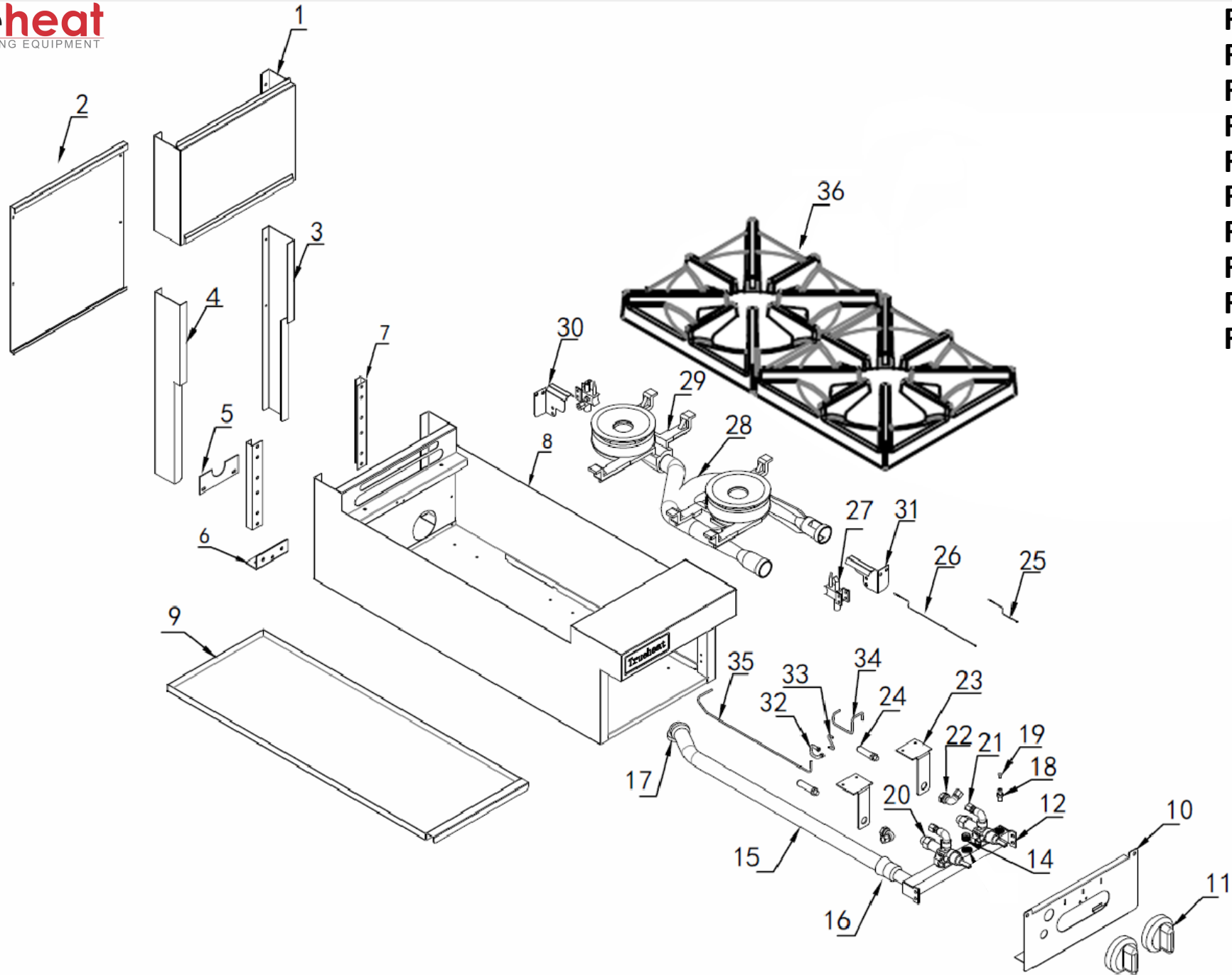


Online Spare Parts Store

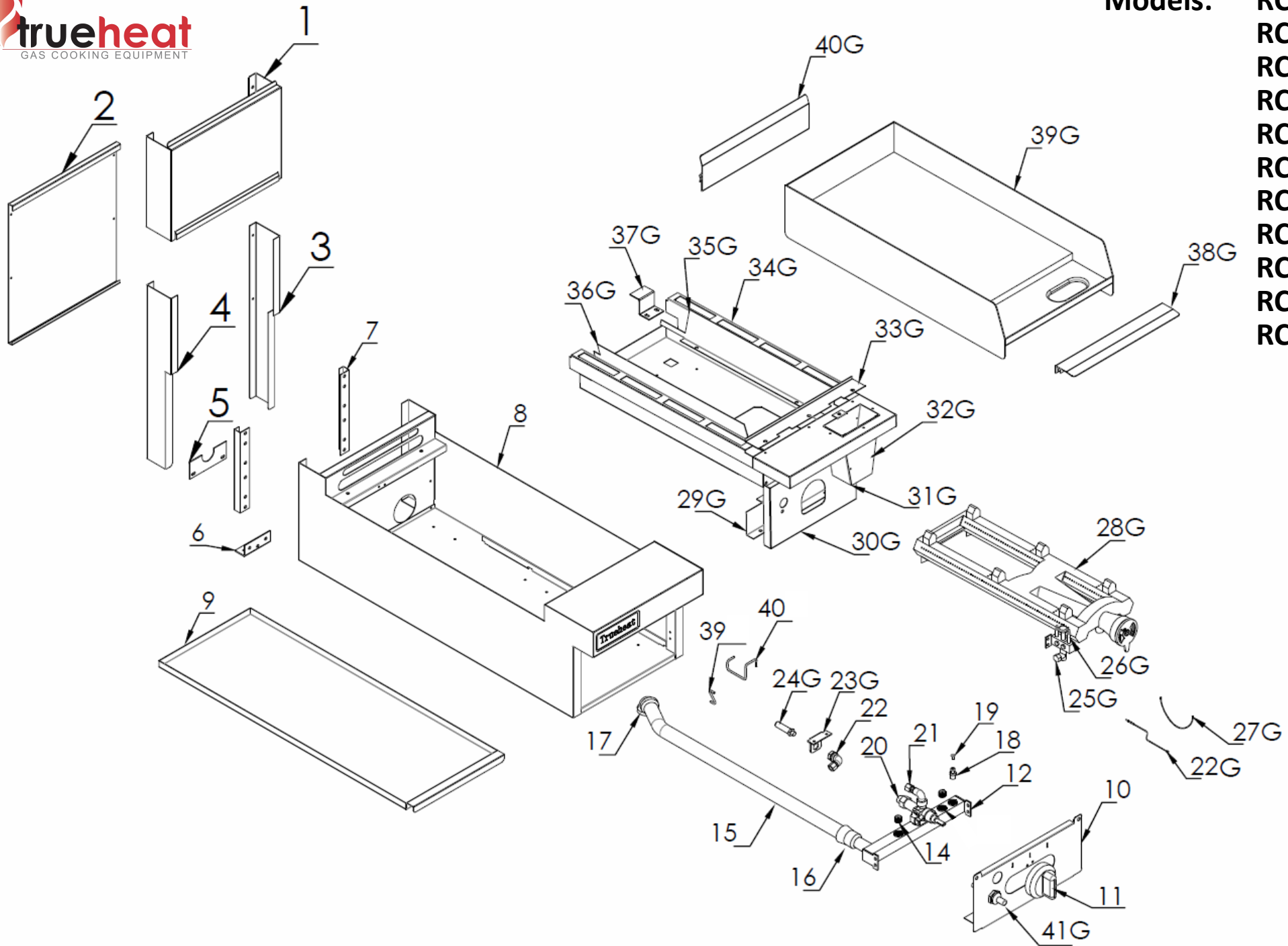
Reproduction or copying of any part of this manual by any means whatsoever is strictly forbidden unless authorised in writing by Comcater.

Comcater reserves the right to change design and specifications without prior notice. © Copyright Comcater Pty Ltd, May 2019.

**Models:** RCT3-2  
 RCT6-4  
 RCT6-2-3G  
 RCT9-6  
 RCT9-4-3G  
 RCT9-2-6G  
 RCR6-4  
 RCR6-2-3G  
 RCR9-6  
 RCR9-4-3G  
 RCR9-2-6G



**Models:** RCT3-3G  
 RCT6-6G  
 RCT6-2-3G  
 RCT9-9G  
 RCT9-4-3G  
 RCT9-2-6G  
 RCR6-6G  
 RCR6-2-3G  
 RCR9-9G  
 RCR9-4-3G  
 RCR9-2-6G

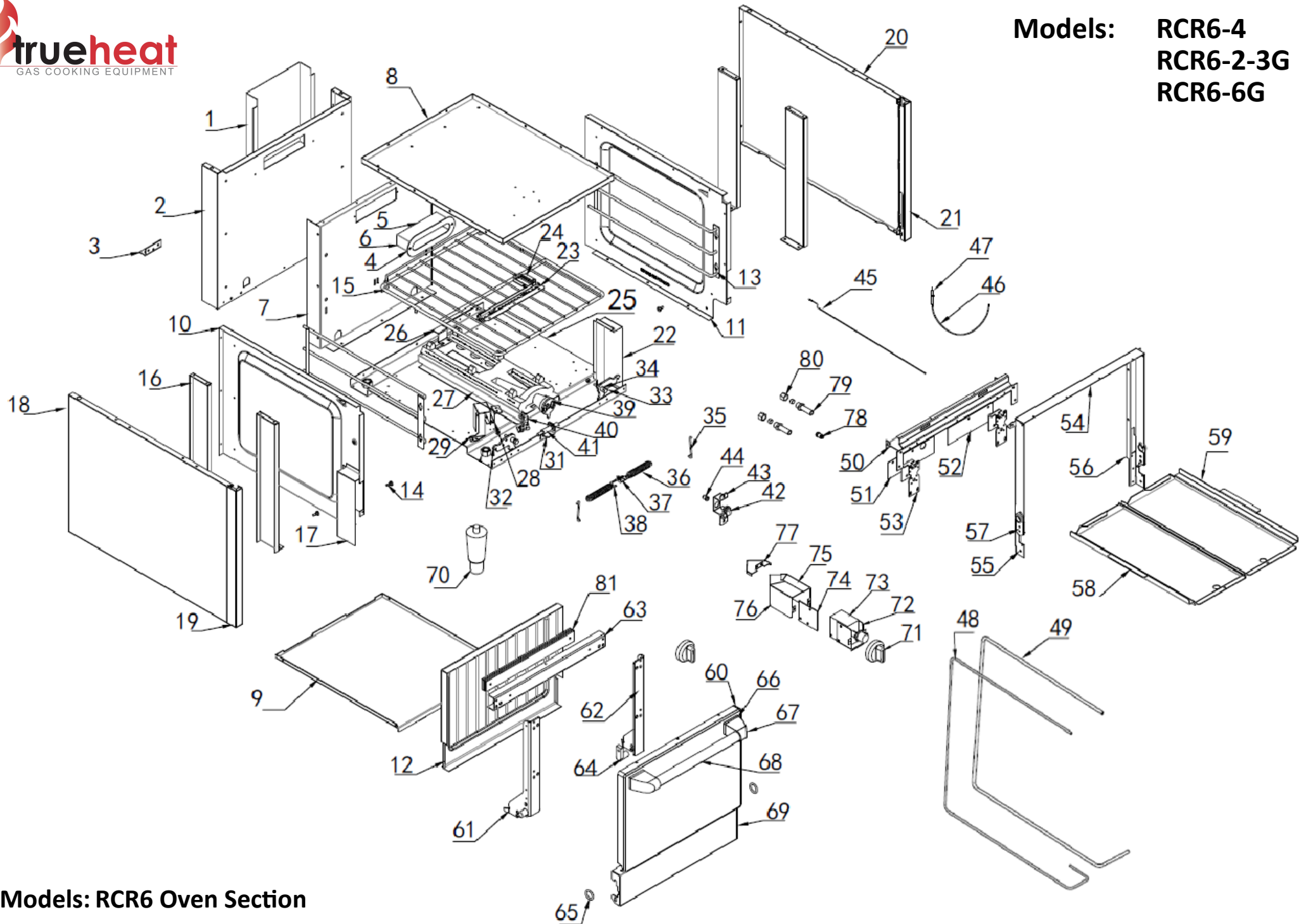


# Model: RCT3-2, RCT3-3G, RCT6, RCT9, RCR6 & RCR9

ITEM	PART NO.	DESCRIPTION	QTY	ITEM	PART NO.	DESCRIPTION	QTY
1	17302433	Front outer skin for 300mm flue cover	1	22G	THSP-50-00-034	Thermocouple	
*1	12108247	Front outer skin for 600mm flue cover	1	23	THSP-16-00-159	Open Burner Injector Support	
*1	12108212	Front outer skin for 900mm flue cover	1	23G	THSP-16-00-160	Griddle Burner Injector Support	
2	17302434	Rear panel for 300mm flue cover	1	24	THSP-80-00-022	Injector LPG 1.40mm Open Burner	
*2	12108249	Rear panel for 600mm flue cover	1	*24	THSP-80-00-023	Injector NG 2.30mm Open Burner	
*2	12108220	Rear panel for 900mm flue cover	1	24G	THSP-80-00-018	Injector LPG 1.15mm Griddle	
3	17302335	Right side rail, flue cover	1	*24G	THSP-80-00-017	Injector NG 1.85mm Griddle	
4	17302334	Left side rail, flue cover	1	25	THSP-50-00-034	320mm Thermocouple front burner	
5	17302331	Gas inlet support bracket	1	25G	THSP-50-00-025	Pilot Assembly for Griddle	
6		Transport brace	2	26	THSP-50-00-020	900mm Thermocouple Rear Burner	
7	17302337	Rear vertical brace	2	26G	THSP-50-00-022	Ignition Electrode	
8	S35025	Body module (Outer Shell) RCT3	1	27	THSP-50-00-019	Pilot Assembly Open Burners	
*8	S35024	Body module (Outer Shell) RCT6	1	27G	THSP-50-00-017	350mm Ignition Lead for Griddle	
*8	S35023	Body module (Outer Shell) RCT9	1	28	THSP-80-00-024	Front burner	
9	17302332	Drip tray 250mm RCT3 only	1	28G	THSP-80-00-003	Griddle Burner	
*9	17302471	Drip tray 300mm RCT/RCR 600/900mm	1	29	THSP-80-00-025	Rear burner	
*9	17302461	Drip tray 550mm RCT/RCR 600/900mm	1	29G	THSP-70-00-005	Under insulation cotton	
10	17302445	Control panel cover 300mm	1	30	THSP-50-01-018	Rear Pilot Cover for Open Burner	
*10	17302452	Control panel cover 600mm	1	30G	THSP-70-00-006	Front insulation cotton	
*10	17302451	Control panel cover 900mm	1	31	THSP-50-01-019	Front Pilot Cover for Open Burner	
11	S35006(S35007)	Control knob Hi-Low Flame	2	31G	THSP-16-00-161	Grease Chute Rear Section	
12	S35030	Gas Manifold RCT3	1	32	THSP-22-00-018	Limited Flex Gas Tube SS 6 x 150mm	
*12	S35027	Gas Manifold RCT6/RCR6	1	32G	THSP-16-00-173	Grease Shute Front Cover	
*12	S28028	Gas Manifold RCT9/RCR9	1				
14	B17014	Manifold Plug	A/R	33	THSP-TBA	Front burner nozzle aluminium tube	
15	Q23031	Inlet Gas pipe	1	33G	THSP-16-00-163	Seesaw front sealing plate RCT3	
16	B11014	Coupling Gas Inlet to manifold	1	34	THSP-	Front Pilot aluminium tube	
17	B12013	Gas Inlet Elbow 0.75 Inch	1	34G	THSP-16-00-162	Burner Box	
18	B06383(C61003)	Pressure Test Point without screw	1	35	THSP-TBA	Front Pilot aluminium tube	
19	C61003(B06383)	Screw for Pressure Test Point	1	35G	THSP-16-00-164	right heat baffle for Burner Box	
20	CCE-KB-F60P	Flame Failure Gas Valve		36	THSP-90-00-013	Trivet for RC Series	
21	B07243	Brass Elbow Fitting		36G	THSP-16-00-165	left heat baffle for Burner Box	
22	B07244	Injector holder elbow		37G	THSP-16-01-050	H burner securing bracket	

**Model: RCT3-2, RCT3-3G, RCT6, RCT9, RCR6 & RCR9**

ITEM	PART NO.	DESCRIPTION	QTY
38G	17302449	Griddle Front Splash Guard 300mm	1
*38	17302368	Griddle Front Splash Guard 600mm	1
*38	17302339	Griddle Front Splash Guard 900mm	1
39			
39G	S35037	300mm Griddle Plate	1
*39G	S35021	600mm Griddle Plate	1
*39G	S35022	900mm Griddle Plate	1
40	17302448	Aluminium Tubing	A/R
40G	17302448	Griddle Rear Splash Guard 300mm	1
*40G	17302367	Griddle Rear Splash Guard 600mm	1
*40G	17302338	Griddle Rear Splash Guard 900mm	1
41G	'0892116	Piezo igniter	1



## Models: RCR6 Oven Section

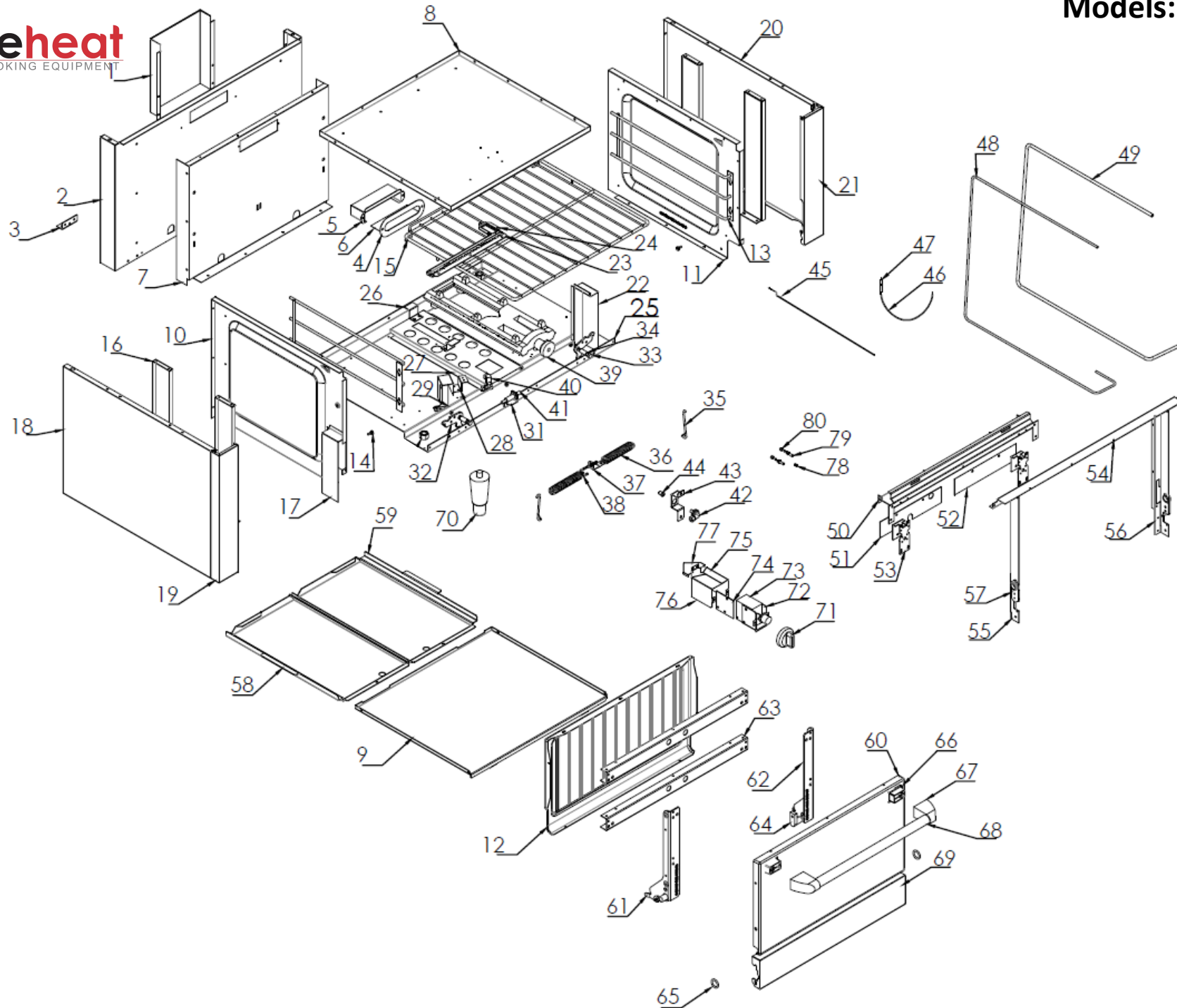
ITEM	PART NO.	DESCRIPTION	QTY	ITEM	PART NO.	DESCRIPTION	QTY
1	THSP-16-00-091	Oven Flue Panel	1	37	THSP-16-00-122	Door Spring Mounting Bracket	1
2	THSP-16-00-104	Rear Wall Exterior Cabinet	1	38	THSP-10-00-006	Door adjustment hook	2
3	THSP-12108240	Transport bracket	2	39	THSP-80-00-003	Cast Iron H Burner	1
4	THSP-16-00-101	Oven Flue Outlet Surround	1	40	THSP-50-00-019	Oven Pilot Assembly	1
5	THSP-16-00-102	Oven Vent Tube Top	1	41	THSP-50-00-012	Piezo Ignitor	1
6	THSP-16-00-103	Oven Vent Tube Bottom	1	42	THSP-80-01-002	Injector Elbow	1
7	<b>THSP-S35048</b>	Oven Interior Rear Panel	1	43	THSP-50-01-014	Injector holder bracket	1
8	<b>THSP-S35047</b>	Oven interior Top panel	1	44	THSP-80-00-019	Oven Injector LPG	1
9	<b>THSP-S35049</b>	Oven interior base panel	1	*	THSP-80-00-020	Oven Injector NG	1
10	<b>THSP-S35050</b>	Oven Interior LHS panel	1	45	THSP-50-00-021	Thermocouple for Rear Burner	1
11	<b>THSP-S35051</b>	Oven interior RHS panel	1	46	THSP-50-00-017	Ignition lead 350mm	1
12	<b>THSP-S35052</b>	Oven Door Interior Panel	1	47	THSP-50-00-022	Ignition electrode	1
13	THSP-90-00-009	RCR Ladder Rack	2	48	<b>THSP-TBA</b>	Aluminium Pilot Tube	1
14	THSP-10-00-008	Securing Pins for RCR Ladder Rack	4	49	<b>THSP-TBA</b>	Aluminium Pilot tube	1
15	THSP-90-00-008	Oven Rack for RCR6	1	50	THSP-16-00-112	Door fixing plate for 600	1
16	THSP-16-00-089	Oven Left and Right Support Brackets	4	51	THSP-16-00-113	Left Foot holder	1
17	THSP-16-00-092	Door hinge left box	1	52	THSP-16-00-114	Right foot holder	1
18	THSP-16-00-083	LH exterior oven panel	1	53	THSP-16-00-095	Hinge Mounting Bracket	2
19	THSP-16-00-108	Oven left front panel exterior for 600	1	54	THSP-16-00-110	Upper oven support	1
20	THSP-16-00-084	RH Exterior Oven Panel	1	55	THSP-16-00-098	LH oven support	1
21	THSP-16-00-109	Oven right front panel exterior for 600	1	56	THSP-16-00-099	RH oven support	1
22	THSP-16-00-093	Door Hinge Right Box	1	57	THSP-10-00-015	Oven Door Trunnion Socket	2
23	THSP-40-01-013	Probe mount bracket 1	1	58	THSP-16-00-118	LH Burner Deflector Plate for 600	1
24	THSP-40-01-012	Probe mount bracket 2	1	59	THSP-16-00-119	RH Burner Deflector Plate for 600	1
25	THSP-16-00-111	Oven Base plate for 600	1	60	<b>THSP-S35053</b>	Oven Door Outer Panel 600	1
26	THSP-16-01-050	Oven Burner Securing Bracket	2	61	<b>THSP-S35054</b>	Oven Door Hinge Left & Right	2
27	THSP-16-00-115	Burner base support	1	62			
28	THSP-50-01-016	Oven Pilot Bracket	1	63	THSP-16-00-065	Door support	2
29	THSP-50-01-015	Oven Pilot Cover	1	64	THSP-10-00-014	Oven Door Trunnion	2
31	THSP-16-01-051	Mounting Bracket for Piezo Ignitor	1	65	THSP-10-00-017	Retaining Ring	2
32	THSP-16-00-061	Oven Door Bell Crank LHS	1	66	THSP-10-00-013	Oven Door handle insulation	2
33	THSP-10-00-007	Oven Door Bell Crank RHS	1	67	THSP-10-00-012	Oven Door handle end cap	2
34	THSP-10-00-016	Bell Crank Pin	2	68	THSP-10-00-020	Door handle Tube	1
35	THSP-10-00-018	Oven Door Hinge Link Hook	2	69	THSP-16-00-120	Lower Door Panel for 600	1
36	THSP-10-00-005	Door Spring	2	70	THSP-10-00-003	Adjustable Leg 150mm	4



## Models: RCR6 Oven Section

ITEM	PART NO.	DESCRIPTION	QTY
71	THSP-50-01-004	Oven Knob with Temp. markings	1
72	THSP-16-00-121	Oven Control Valve Support Bracket	1
73	THSP-40-00-004	Oven Thermostatic control gas valve	1
74	THSP-16-01-037	Mounting plate - Oven Gas valve	1
75	THSP-40-01-010	RHS Cover - Oven Gas valve	1
76	THSP-40-01-009	LHS Cover - Oven Gas valve	1
77	THSP-40-01-008	Rear Cover - Oven Gas valve	1
78	THSP-40-01-014	Oven Control Valve nut	2
79	THSP-40-01-015	Oven Control Valve Mounting Screw	2
80	THSP-40-01-016	Oven Control Valve Mounting nut	2
81	THSP-16-00-172	Door Balance Weight	1

**Models:**  
**RCR9-6**  
**RCR9-4-3G**  
**RCR9-2-6G**  
**RCR9-9G**



## Models: RCR9 Oven Section

ITEM	PART NO.	DESCRIPTION	QTY	ITEM	PART NO.	DESCRIPTION	QTY
1	THSP-16-00-091	Oven Flue Panel		36	THSP-10-00-005	Door Spring	
2	THSP-16-00-090	Rear wall external cabinet		37	THSP-16-00-122	Door Spring Mounting Bracket	
3	THSP-16-01-049	Transport Bracket		38	THSP-10-00-006	Door Adjustment Hook	
4	THSP-16-00-101	Oven Flue Vent Bezel	1	39	THSP-80-00-003	Cast Iron H Burner	
5	THSP-16-00-102	Oven Flue Vent Top	1	40	THSP-SIT-0.100.011-3.5	Pilot assembly	
6	THSP-16-00-103	Oven Flue Vent Bottom	1	41	THSP-50-00-012	Piezo ignitor	
7	THSP-S35056	Enamel oven liner back plate		42	THSP-80-01-002	Injector Elbow Connector	
8	THSP-S35057	Enamel oven liner top plate		43	THSP-50-01-014	Injector Holder Bracket	
9	THSP-S35055	Enamel oven pan above burner		44	THSP-80-00-019	Injector Oven LPG	
10	THSP-S35050	Enamel, left side panel of oven inner		*	THSP-80-00-020	Injector Oven NG	
11	THSP-S35051	Enamel, right side panel of oven inner		45	THSP-SIT-0.200.261	Thermocouple 1500XM9	
12	THSP-S35058	Enamel, oven inner door panel		46	THSP-50-00-017	High-voltage ignition wire 350mm	
13	THSP-90-00-009	Ladder racks		47	THSP-SIT-0.915.036	High-voltage ignition electrode	
14	THSP-10-00-008	Screw for Oven Rack Side Support		48	THSP-TBA	Tinder aluminium tube	
15	THSP-90-00-007	Oven Rack for 900		49	THSP-TBA	Furnace nozzle aluminium tube	
16	THSP-16-00-089	Oven left and right support brackets		50	THSP-16-00-094	Door Fixing Plate	
17	THSP-16-00-092	Door hinge left box		51	THSP-16-00-096	Door Holder Left 900	
18	THSP-16-00-083	LH Exterior Oven Panel		52	THSP-16-00-097	Door Holder Right 900	
19	THSP-16-00-085	Oven left front panel exterior		53	THSP-16-00-095	Hinge seat	
20	THSP-16-00-084	Oven right side plate exterior		54	THSP-16-00-100	Internal door support	
21	THSP-16-00-086	Oven right front panel exterior		55	THSP-16-00-098	Oven Left Support	
22	THSP-16-00-093	Door hinge right box		56	THSP-16-00-099	Oven Right Support	
23	THSP-40-01-011	Oven Thermostat Bulb Cover 1		57	THSP-10-00-015	Oven Door Trunnion Socket (cast iron)	
24	THSP-40-01-012	Oven Thermostat Bulb Cover 2		58	THSP-16-00-116	Burner Deflector Plate Left 900	
25	THSP-16-00-088	Oven bottom plate for 900		59	THSP-16-00-117	Burner Deflector Plate Right 900	
26	THSP-16-01-050	H Burner Securing Bracket		60	THSP-S35059	Oven Door Outer Panel 900	
27	THSP-16-00-115	Burner support		61	THSP-S35054	Door Hinge	
28	THSP-50-01-016	Oven Pilot Bracket		62	THSP-S35054	Door Hinge	
29	THSP-50-01-015	Oven Pilot cover		63	THSP-17302431	Door length support 900	
31	THSP-16-01-051	Ignition Holder		64	THSP-B07251	Door rotation axis (cast iron)	
32	THSP-16-00-061	Oven Door Bell Crank	2	65	THSP-B21261	Door left and right retaining ring	
33	THSP-B21259	Oven Door Hinge Screw	?	66	THSP-B07250	Door handle holder (plastic)	
34	THSP-10-00-016	Oven Door Hinge Screw Sleeve	?	67	THSP-B07249	Door handle (die-cast aluminum)	
35	THSP-10-00-018	Hinge Link Hook	2	68	THSP-TBA	Door handle tube RCR9	

## Models: RCR9 Oven Section

ITEM	PART NO.	DESCRIPTION	QTY
69	THSP-16-00-087	Door front panel 900	1
70	THSP-10-00-003	Adjustable Leg with Bullet Foot 150mm	4
71	THSP-50-01-004	Oven Temperature Knob	1
72	THSP-16-00-121	Oven Control valve Support Bracket	1
73	THSP-40-00-004	Oven Thermostatic Valve	1
74	THSP-16-01-037	Oven Gas Valve Mounting Plate	1
75	THSP-40-01-010	RHS Cover Oven Gas Valve	1
76	THSP-40-01-009	LHS Cover Oven Gas Valve	1
77	THSP-40-01-008	Rear Cover Oven Gas Valve	1
78	THSP-40-01-014	Nut to mount valve	?
79	THSP-40-01-015	Oven Control Valve Mounting Screw	?
80	THSP-40-01-016	Oven Control Valve Mounting Nut	?



trueheat  
GAS COOKING EQUIPMENT



**trueheat**

---

GAS COOKING EQUIPMENT