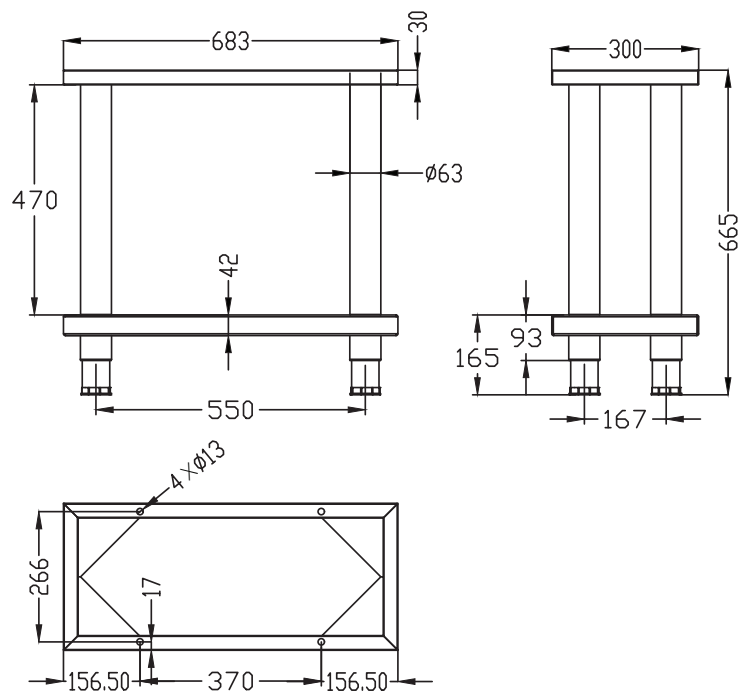


The Australian owned and designed Trueheat RC Series of Gas Cooking Equipment has been developed to meet the operation needs and highest standards demanded by chefs and restaurant owners within a commercial kitchen.

Sturdy stands are available in 300mm, 400mm, 600mm and 900mm widths.

Castors with or without brake can be added to 600mm and 900mm stands only.



**DIMENSIONS & WEIGHT**

Working Dimension: 910mm (+/- 15mm with stand)

External Dimension: 300W x 683D x 380H mm

Net Weight: 7.8kg

**SHIPPING DATA**

Shipping Weight: 8.9kg

Shipping Dimensions: 360W x 740D x 170H mm

SPECIFICATIONS ARE SUBJECT TO CHANGE WITHOUT NOTICE.